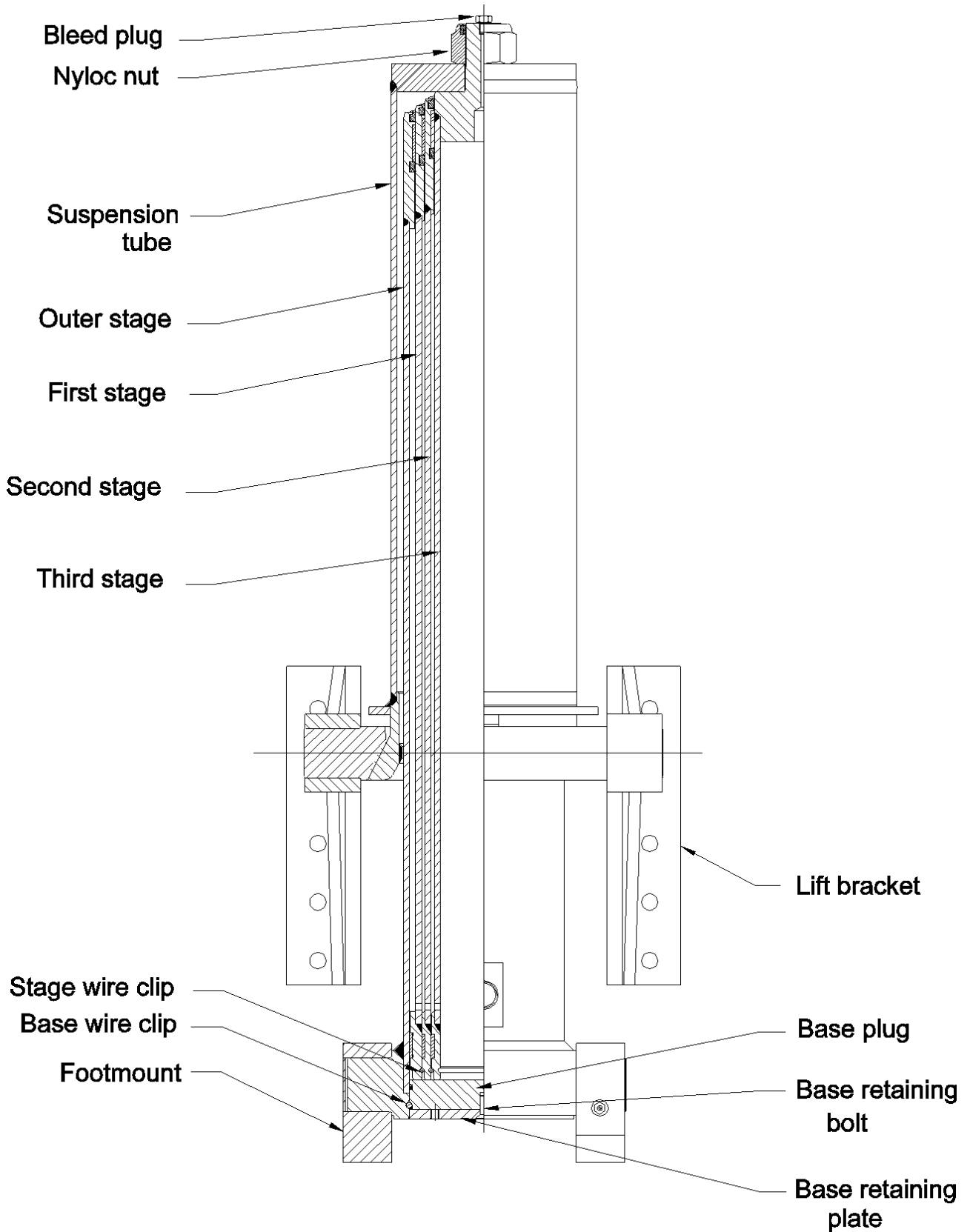


Series 2000 BT Delhoist Parts



NOTE: The number of stages may vary between models.

Series 2000 BT Delhoist Disassembly.

When disassembling a series Delhoist Telescopic Cylinder, ensure that all parts are carefully handled so that no damage occurs, especially to sealing and wearstrip surfaces, and when removing wire clips, do not bend them past their elastic limit. The method of disassembly is as follows:

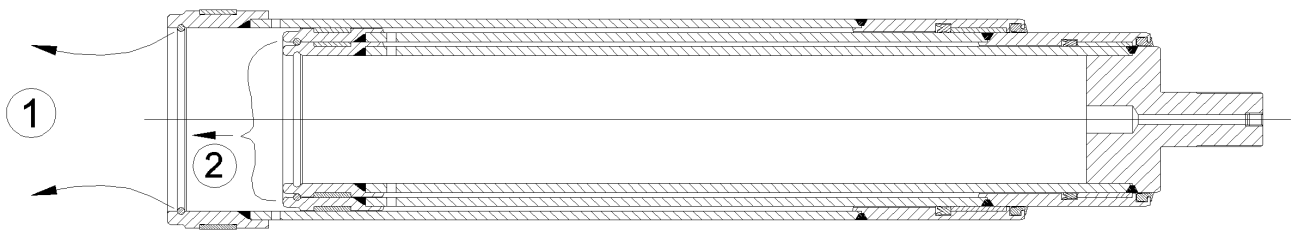
Step 1: Remove lifting brackets, footmounts, suspension tube and port plugs from cylinder, remove grease nipple & bleed plug from last stage.

Step 2: Cut sealant from around base retaining plate. Unscrew the base retaining bolt and remove the base retaining plate. Push the base plug (with the stages) in past the base wire clip. Remove the base wire clip from it's groove and pull out the base plug with a puller screwed into the threaded central hole. Ensure that the base remains aligned during removing so that the sealing surfaces are not damaged.

Step 3: The stages may now be removed in order from Outer Stage to Last Stage or vice-versa. To remove in order from Last Stage to Outer Stage, dollies are required to push the stages out (excepting the last stage) so as not to damage the wiper groove at the gland end.

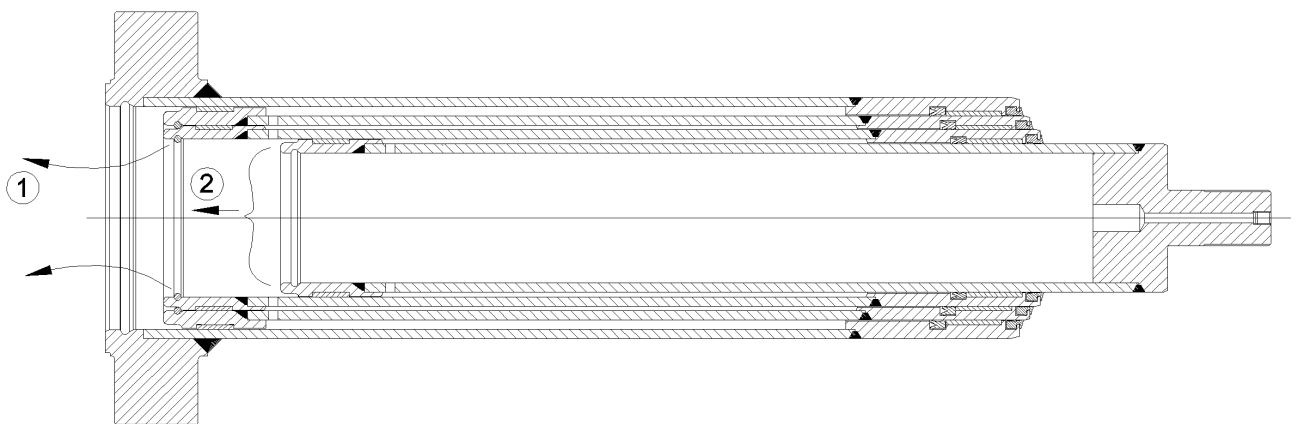
In order from Outer Stage to Last Stage:

Push all stages together out of the outer stage through the base end. Remove the first stage from the rest, by sliding the other stages in 3-4" past the wire clip. Pop the wire clip out of the first stage groove, and then push all of the remaining stages together, out of the first stage (through wire clip end). Follow this by removing the other stages, working from largest to smallest.



In order from Last Stage to Outer Stage:

Slide the last stage in 3-4" past the last stage wire clip. Pop the wire clip out of it's groove, and then push the last stage out of the other stages (through wire clip end). Follow this by removing the other stages, working from smallest to largest. It is important that dollies are used to remove stages with wipers, so that the wiper grooves are not damaged.



Series 2000 BT Delhoist Assembly.

When assembling a Delhoist Telescopic Cylinder, ensure that all parts are carefully handled so that no damage occurs, especially to sealing and wearstrip surfaces, and when installing wire clips, do not bend them past their elastic limit. It is important that all parts are clean, and that plenty of oil is used to lubricate the tube bore & O.D. during fitting of stages together. All threads and seal grooves must be greased prior to assembly. The method of assembly is as follows:

Step 1: Fit all seals & wearstrips to the pistons & glands of all stages. The order in which to install the gland seals is: wearstrip → seal → wiper. Ensure that the surface finish on the wiper end of the stage is suitable for the wiper lip to seal upon, prior to assembly.

Step 2: Beginning with the final stage, slide it into the second last stage. Ensure that the stage enters the gland correctly, and that all seals and wearstrips are correctly in their grooves (mainly as the stage end enters the gland, and as the piston enters the corresponding bore). Push the final stage 3-4" inside the second last stage, and pop the smallest wire clip into its groove. Push the final stage back against this wire clip, so that the stage piston ends are level.

Step 3: Slide these stages into the third last stage, following the same procedure. Push the final two stages 3-4" inside this stage, and pop the next wire clip into its groove. Push the final two stages back against this wire clip, so that all the stage piston ends are level. Continue like this until all the moving stages have been loaded (ie. only the outer is left).

Step 4: Slide all stages together into the outer stage (through the base end), ensuring that the stages enter the gland correctly, and that all seals and wearstrips are correctly in their grooves. Be very careful not to damage the base o-ring sealing area in the outer stage. Push all the stages 3-4" past the base wire clip groove in the outer stage.

Step 5: Fit the base o-ring to the base and fit it into the outer stage, ensuring that it is always kept square to the bore, and that the o-ring is not damaged by the wire clip groove. Push it in past the base wire clip groove in the outer stage ID. Fit the base wire clip in its groove and pull the base fully back against the wire clip, again ensuring that the base is always kept square to the bore. Fit the base retaining plate and base retaining bolt, and torque the bolt to 20Nm.

Step 6: Pressure test, and test for operation as required.

Step 7: Apply sealant around the base retaining plate. Fit the grease nipples, bleed plug, suspension tube, lifting brackets & footmounts to the cylinder.